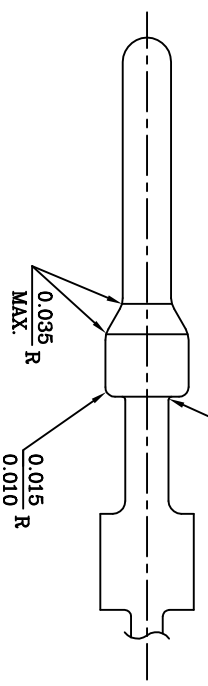
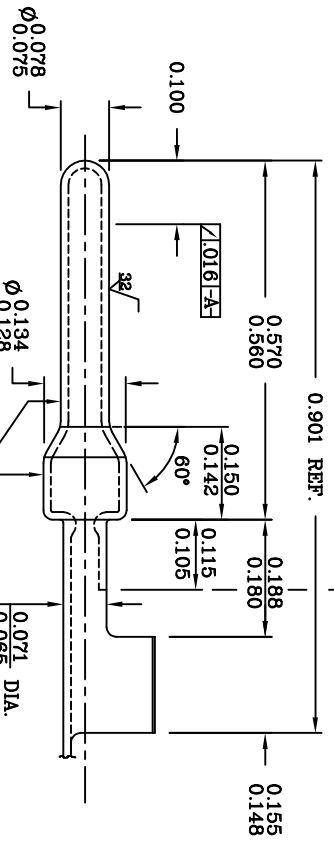
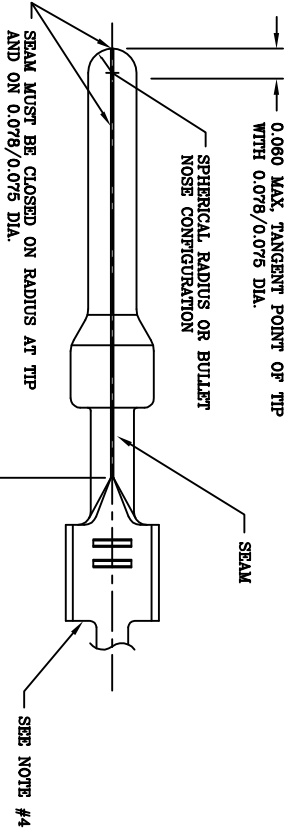


The dimensions to the nearest 0.001 inch are given unless otherwise indicated. The dimensions to the nearest 0.001 inch are given unless otherwise indicated. The dimensions to the nearest 0.001 inch are given unless otherwise indicated.

REVISIONS				
REV.	ZONE	DESCRIPTION	DATE	APPROVED
U	ECN#HK1025	REDRAW AND REVISE, ADD NOTE 11 AND 12, CHANGE DIAMETER 0.077/0.075 TO 0.078/0.075, 4C	8/16/95	Y.M.LEE



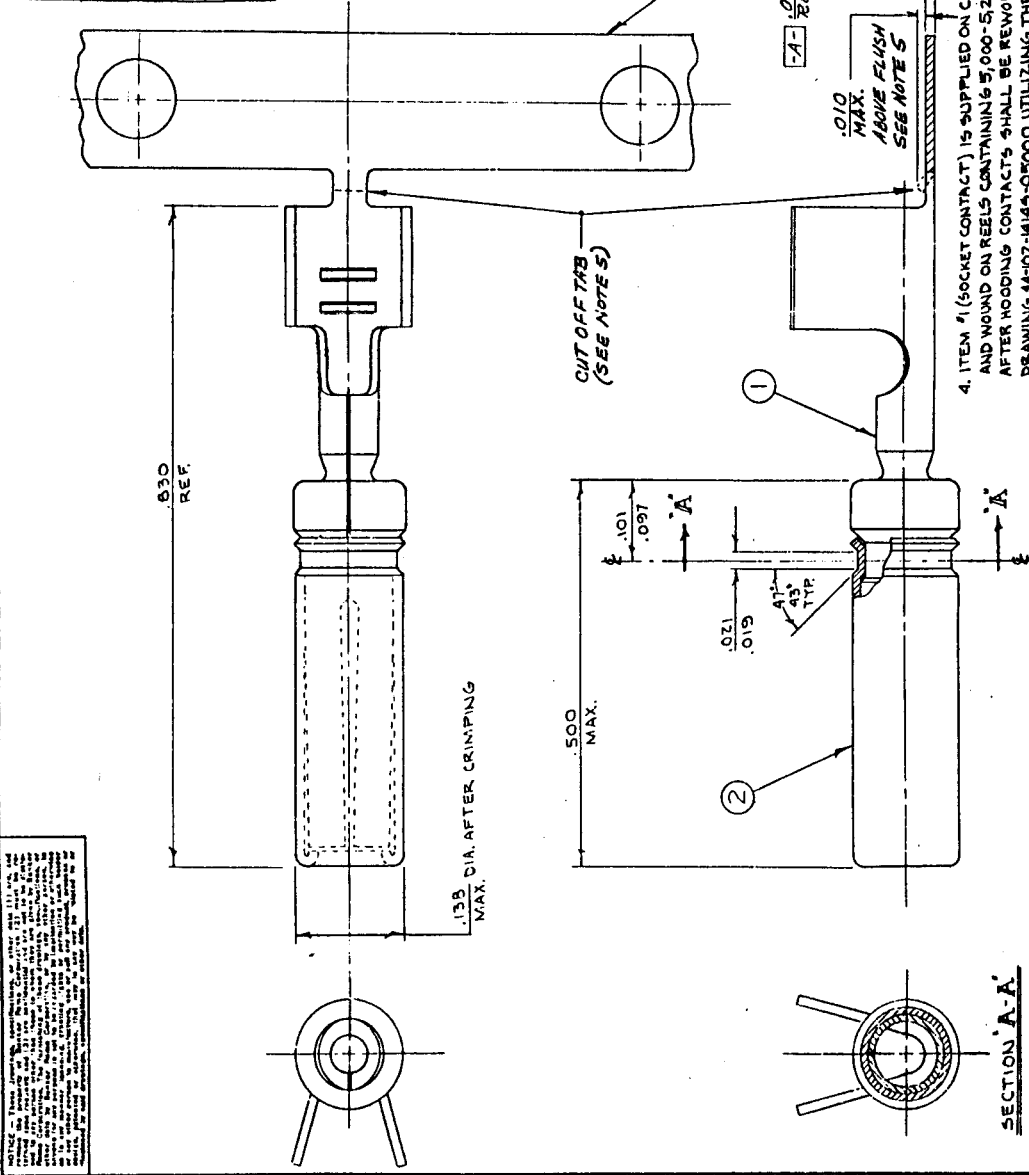
- NOTES:
1. FINISHED PART TO BE FREE OF ALL FRACTURES AND BURRS.
 2. DELETED
 3. THREE TEST STRIPS FROM CONTACT STOCK MUST ACCOMPANY EACH CONTACT LOT AND MUST BE TESTED FOR CONFORMANCE TO TENSILE STRENGTH AND PLATING THICKNESS REQUIREMENTS PER AMPH. SPEC. 123-1604. TEST STRIPS SHALL BE 9.0/10.0" LONG.
 4. SEE AMPHENOL DRAWING 123-1591 FOR CRIMP POCKET DETAIL AND CARRIER STRIP DETAIL. NOTE - CONTACTS TO BE SUPPLIED ON CARRIER STRIP.
 5. UNLESS OTHERWISE SPECIFIED, MAX ALLOWABLE SEAM GAP SHALL BE .008.
 6. CONTACTS TO BE LOADED (5.000-5.250/REEL) ON REEL 120-2016-2 USING INTERLACE PAPER 120-2015-2 (207 FT./REEL) AND FILLER 120-2018-2 (16.5 FT./REEL). PACK IN CARTON 120-1130-01 ALONG WITH INSTRUCTION SHEET 123-1617. AMPHENOL TO SUPPLY PACKING MATERIALS.
 7. FOR REEL LOADING INSTRUCTIONS REF. 44-100-1414P-05000.
 8. PROGRESSIVE STRIP OR THAT PORTION OF THE PROGRESSIVE STRIP THAT REPRESENTS THE BLANK DIMENSIONS CONTROLLED BY AMPH. DRAWING 123-1591 SHALL ACCOMPANY EACH LOT FOR INSPECTION PURPOSES.

9. ALL ITEMS MANUFACTURED UNDER THIS PART NUMBER SHALL MEET THE QUALITY ASSURANCE REQUIREMENTS OF GAP 156.
10. MAXIMUM CAMBER ALLOWED ON THE CARRIER STRIP AFTER STAMPING IS 1/4" IN A 24 INCH LENGTH.
11. MATERIAL: OLN ALLOY 194, 1/2 HARD, .012 ± .0005 THICK. SEE AMPHENOL SPEC. 123-1604 FOR REQ. (1-216-14-134).
12. FINISH: PREPLATED STOCK, BRIGHT TIN, SEE AMPHENOL SPEC. 123-1604 FOR REQUIREMENTS.

ITEM NO.	PART OR IDENTIFICATION NO.	PARTS LIST	NONREPLICATION OR DESCRIPTION	QTY	REQ'D
<p>UNLESS OTHERWISE SPECIFIED</p> <p>APPROVAL</p> <p>DATE</p> <p>8/15/95</p> <p>8/16/95</p> <p>APPHENOL</p> <p>Amphenol East Asia Limited Manufacturing Operation</p> <p>TITLE: PIN CONTACT</p> <p>FOR 14/16/18 A.W.G. WIRE (INSULATION RANGE -.080/.125)</p> <p>SIZE: DRAWING NO. 44-100-1414P</p> <p>SCALE: NONE</p> <p>SHEET 1 OF 1</p>					

DOCUMENT CONTROL
 14 JUL 88
 RECEIVED

REV. NO.	DESCRIPTION	DATE	APPROVED
A	RELEASED TO PRODUCTION		
B	NOTE 3 ADDED ON 4/12/78	3-22-78	JM
C	NOTE 4 ADDED ON 4/12/78	3-22-78	JM
D	ADDED NOTE 5 CUT OFF DIM. ON 4/12/78	3-22-78	JM
E	REVISED AFTER ADDING SUPPORTS DIMENSIONS ON 4/12/78	3-22-78	JM
F	IN NOTE 3, "HOOD MAY ROTATE BUT NOT..." WAS... HOOD SHALL NOT ROTATE OR... ECN Y65026	3-22-78	JM



NOTES:

1. AFTER CRIMPING HOOD (ITEM 2) IN PLACE, CONTACT SHALL BE CAPABLE OF MEETING THE FOLLOWING WITHDRAWAL FORCE REQUIREMENTS WHEN A STEEL TEST PIN IS INSERTED TO A DEPTH OF .250: THE TEST PIN MUST HAVE A SPHERICAL R. & SURFACE FINISH OF 7 TOV. 25 OZ. MAX. WITH .071 ± .0001 DIA. PIN. FINISH OF 7 TOV. 5 OZ. MIN. WITH .075 ± .0001 DIA. PIN.
2. AFTER ASSEMBLY HOOD MAY ROTATE BUT NOT HAVE ANY LATERAL MOVEMENT: HOOD SHALL NOT SEPARATE FROM SOCKET CONTACT BODY WHEN SUBJECT TO A 15 LB. PULL.
3. ITEMS MANUFACTURED UNDER THIS PART NUMBER SHALL MEET THE QUANTITY ASSURANCE REQUIREMENTS OF QAP 156.

5. DEFECTIVE CONTACTS DUE TO IMPAIRED ASSEMBLY OF HOOD SHALL BE REMOVED FROM THE CARRIER STRIP, EACH REEL ASSEMBLY (SEE DRAWING 44-102-14145-05000) SHALL HAVE NO LESS THAN 500 CONTACTS. THERE SHALL NOT BE MORE THAN 50 CONTACTS MISSING IN A ROL. CUT OFF TAB REMAINING ON THE CARRIER STRIP AFTER REMOVAL SHALL BE FLUSH WITH THE CARRIER STRIP TO .010 MAX. ABOVE OR BELOW FLUSH.

ITEM NO.	DESCRIPTION	QUANTITY	UNIT
1	CONTACT HOOD	1	CONTACT HOOD
2	SOCKET CONTACT	1	SOCKET CONTACT

LIST OF MATERIALS OR PARTS LIST
AMPHENOL CONNECTOR DIVISION BUNKER RAMO CORPORATION BROADVIEW, ILLINOIS 60153
TITLE: SOCKET CONTACT ASSEMBLY
WIRE SIZE: #14 & #16 A.W.G.
INSULATION RANGE: .080/.125
SCALE: 10/1
DATE: 10/1/78
DESIGNER: J.M.
ENGINEERING: J.M.
NO. 10258
INDUSTRIAL ENGINEERING: J.M.
DESIGN ACTIVITY: J.M.
EXPERIMENTAL NO. 100-044-8110-01
FINISH

REV. NO.	DATE	APPROVED
F	3-22-78	JM